

# The technical specification of solar cells

◆ Ref-Spec-Mono Cell 165, MODEL : S125-R165 Rev10 ◆

1. Type : Mono Crystal Solar Cell(125 X 125mm, Diameter 165mm)

2. Electrical Parameters

Grade	KS	PS1	PS2	PS3	SS1	SS2	SS3	HS1
Eff(%)	17.50	17.25	17.00	16.75	16.50	16.25	16.00	15.75
Pmax( Wp)	2.71	2.67	2.64	2.60	2.56	2.53	2.50	2.46

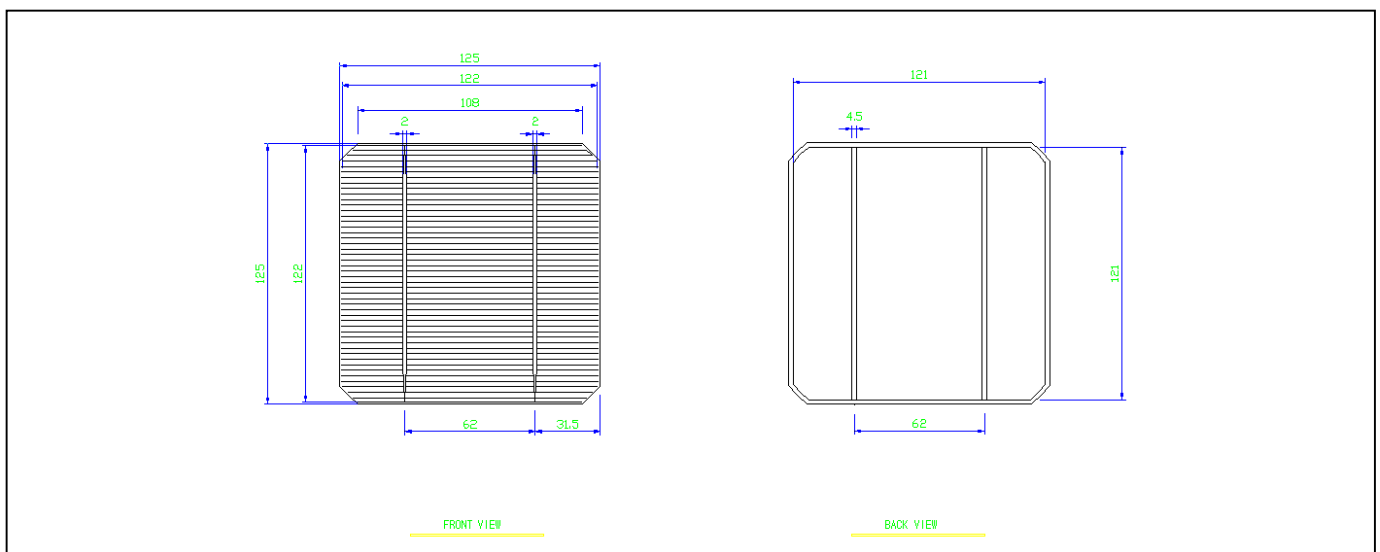
※ All data at standard testing condition: STC (1,000 W/m<sup>2</sup>, AM 1.5G, 25 °C)

※ Efficiency: +/-0.25% abs., Pmax: +/-2% rel.

※ KPE's calibration standards shall be in compliance with the standards applied by ECN, Netherlands

3. Geometrical properties

- ① Shape of Solar Cell : pseudo-square with rounded corners
- ② Length of wafer edge : 125 ± 0.5mm
- ③ Minimum Length(corner to corner) : 164mm
- ④ Maximum Length(corner to corner) : 166mm
- ⑤ Average Wafer thickness : 200~220µm, +/-30µm
- ⑥ Flake type chips : Width max 1.5mm, Depth max 0.5mm
- ⑦ Number of flake type chips allowed : ≤ 2 per Solar Cell



\* KPE reserves the right to change the specification without prior notice and please contact us for detailed specification.