

The technical specification of solar cells

◆ Ref-Spec-Mono Cell 150, MODEL : S125-R150 Rev10 ◆

1. Type : Mono Crystal Solar Cell(125 X 125mm, Diameter 150mm)

2. Electrical Parameters

Grade	KS	PS1	PS2	PS3	SS1	SS2	SS3	HS1
Eff(%)	17.50	17.25	17.00	16.75	16.50	16.25	16.00	15.75
Pmax(Wp)	2.60	2.56	2.54	2.50	2.46	2.43	2.40	2.36

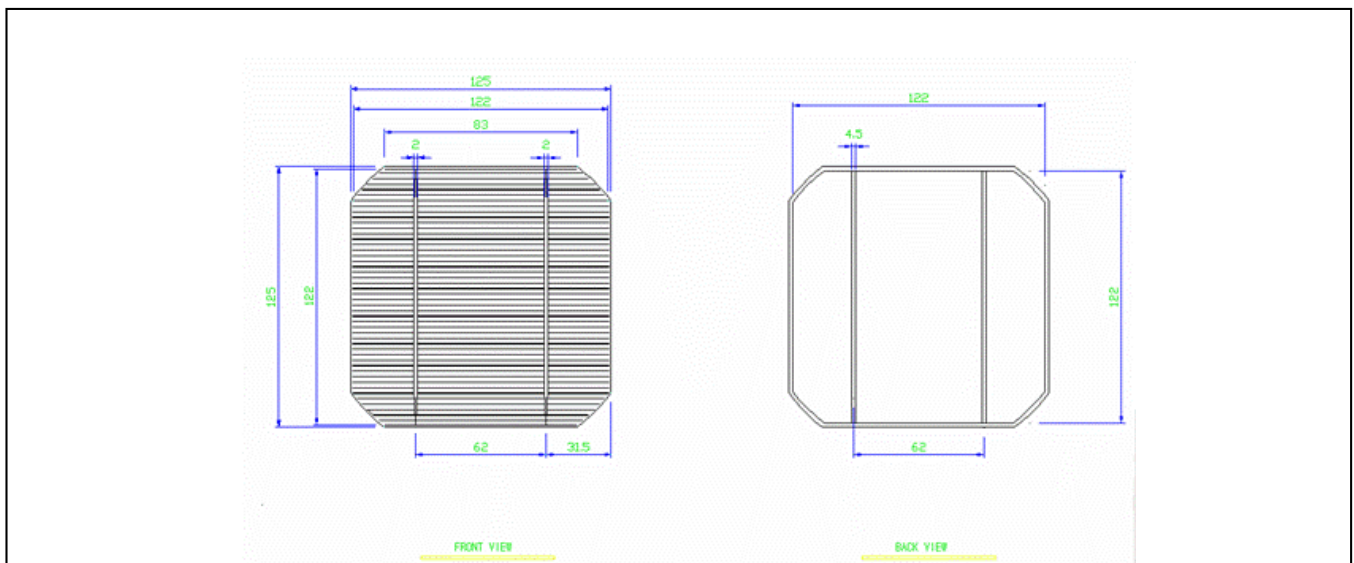
※ All data at standard testing condition: STC (1,000 W/m², AM 1.5G, 25°C)

※ Efficiency: +/-0.25% abs., Pmax: +/-2% rel.

※ KPE's calibration standards shall be in compliance with the standards applied by ECN, Netherlands

3. Geometrical properties

- ① Shape of Solar Cell : pseudo-square with rounded corners
- ② Length of wafer edge : 125 ± 0.5mm
- ③ Minimum Length(corner to corner) : 149mm
- ④ Maximum Length(corner to corner) : 151mm
- ⑤ Average wafer thickness : 200~220, +/-30μm
- ⑥ Flake type chips : Width max 1.5mm, Depth max 0.5mm
- ⑦ Number of flake type chips allowed : ≤ 2 per Solar Cell



* KPE reserves the right to change the specification without prior notice and please contact us for detailed specification.

The technical specification of solar cells

◆ Ref-Spec-Mono Cell 165, MODEL : S125-R165 Rev10 ◆

1. Type : Mono Crystal Solar Cell(125 X 125mm, Diameter 165mm)

2. Electrical Parameters

Grade	KS	PS1	PS2	PS3	SS1	SS2	SS3	HS1
Eff(%)	17.50	17.25	17.00	16.75	16.50	16.25	16.00	15.75
Pmax(Wp)	2.71	2.67	2.64	2.60	2.56	2.53	2.50	2.46

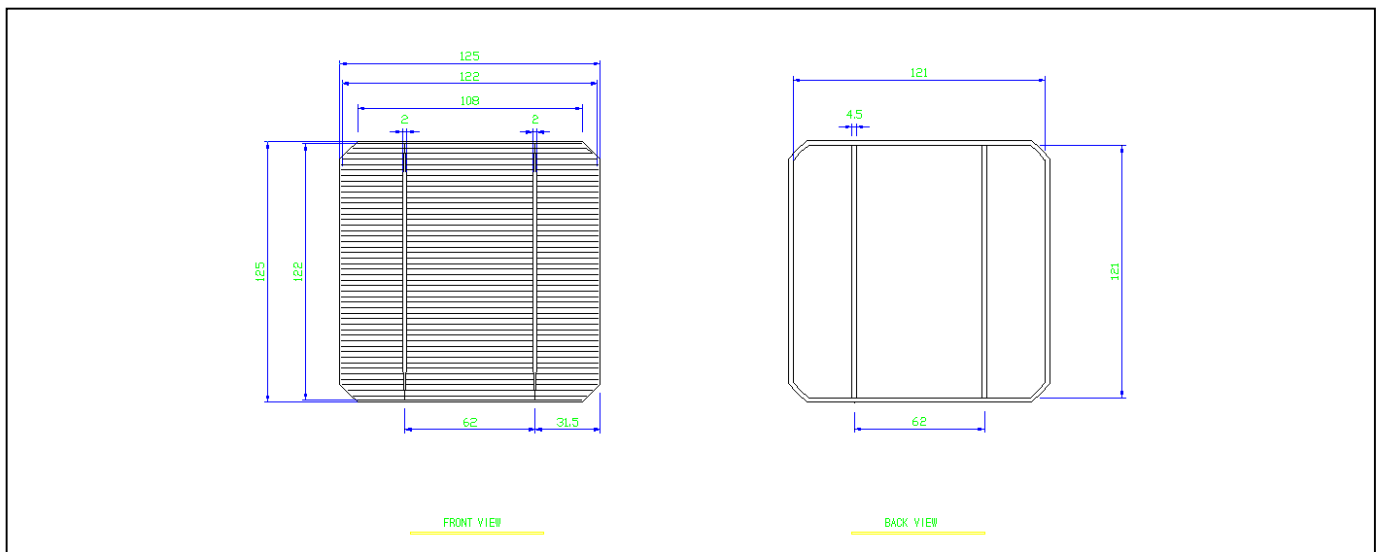
※ All data at standard testing condition: STC (1,000 W/m², AM 1.5G, 25 °C)

※ Efficiency: +/-0.25% abs., Pmax: +/-2% rel.

※ KPE's calibration standards shall be in compliance with the standards applied by ECN, Netherlands

3. Geometrical properties

- ① Shape of Solar Cell : pseudo-square with rounded corners
- ② Length of wafer edge : 125 ± 0.5mm
- ③ Minimum Length(corner to corner) : 164mm
- ④ Maximum Length(corner to corner) : 166mm
- ⑤ Average Wafer thickness : 200~220µm, +/-30µm
- ⑥ Flake type chips : Width max 1.5mm, Depth max 0.5mm
- ⑦ Number of flake type chips allowed : ≤ 2 per Solar Cell



* KPE reserves the right to change the specification without prior notice and please contact us for detailed specification.

The technical specification of solar cells

◆ Ref-Spec-Multi Cell 2 Busbar, MODEL : M156-2BB Rev1 ◆

1. Type : Multi Crystalline Silicon Solar Cell(156mm X 156mm)

2. Electrical Parameters

Grade	PM1	PM2	PM3	SM1	SM2	SM3	HM1	HM2	HM3
Eff(%)	16.40	16.20	16.00	15.80	15.60	15.40	15.20	15.00	14.80
Pmax(Wp)	3.99	3.94	3.89	3.85	3.80	3.75	3.70	3.65	3.60

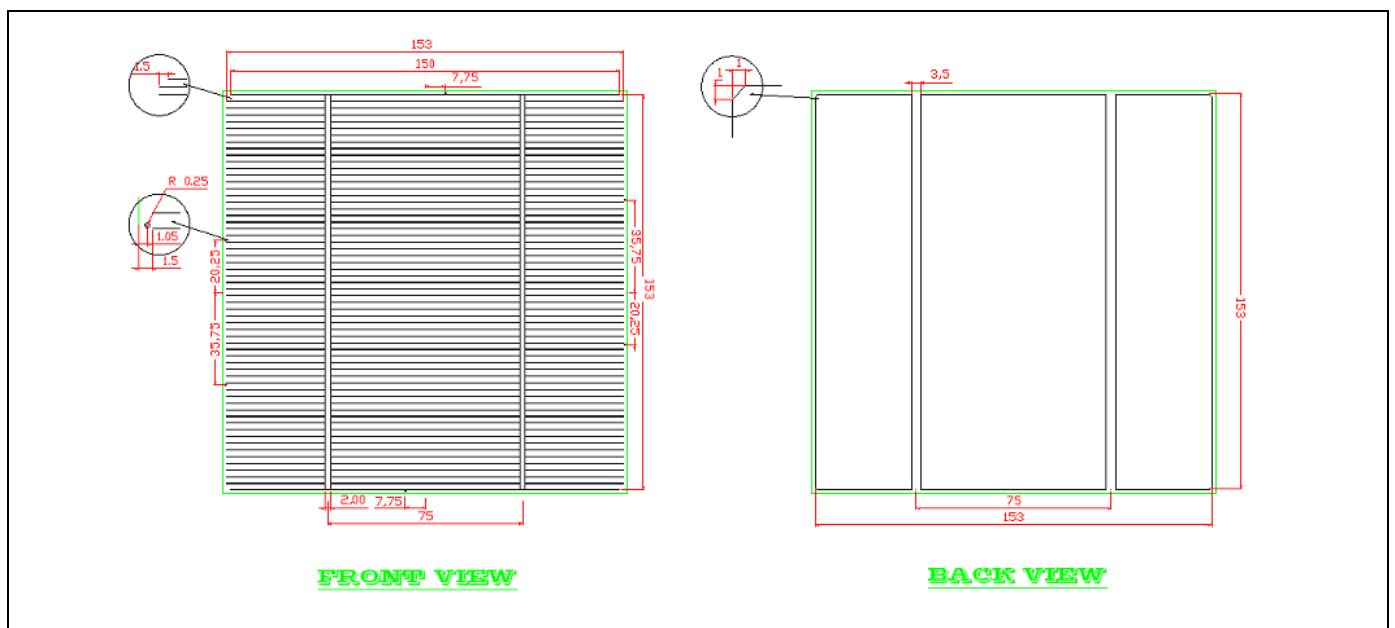
※ All data at standard testing condition: STC (1,000 W/ m², AM 1.5G, 25°C)

※ Efficiency: +/-0.20% abs., Pmax: +/-2% rel.

※ KPE's calibration standards shall be in compliance with the standards applied by ECN, Netherlands

3. Geometrical properties

- ① Shape of Solar Cell: Square with chamfer
- ② Bevel edge width: 1.5+/-0.5mm
- ③ Length of wafer edge: 156 ± 0.5mm
- ④ Average Wafer thickness: 200~210µm, +/-30µm
- ⑤ Flake type chips: Width max 1.5mm, Depth max 0.5mm
- ⑥ Number of flake type chips allowed: ≤ 2 per Solar Cell



* KPE reserves the right to change the specification without prior notice and please contact us for detailed specification

The technical specification of solar cells

◆ Ref-Spec-Multi Cell 3 Busbar, MODEL : M156-3BB Rev1 ◆

1. Type : Multi Crystalline Silicon Solar Cell(156mm X 156mm)

2. Electrical Parameters

Grade	PM1	PM2	PM3	SM1	SM2	SM3	HM1	HM2
Eff(%)	16.40	16.20	16.00	15.80	15.60	15.40	15.20	15.00
Pmax(Wp)	3.98	3.92	3.88	3.83	3.80	3.75	3.71	3.66

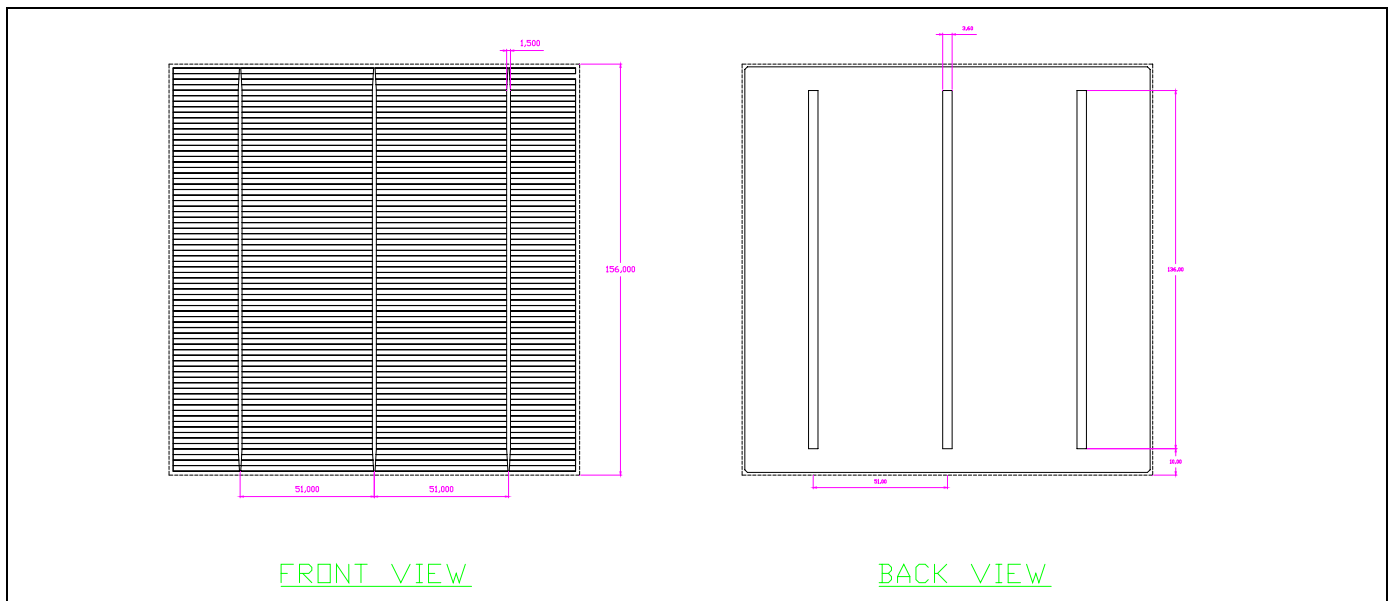
※ All data at standard testing condition: STC (1,000 W/ m², AM 1.5G, 25°C)

※ Efficiency: +/-0.20% abs., Pmax: +/-2% rel.

※ KPE's calibration standards shall be in compliance with the standards applied by ECN, Netherlands

3. Geometrical properties

- ① Shape of Solar Cell: Square with chamfer
- ② Bevel edge width: 1.5+/-0.5mm
- ③ Length of wafer edge: 156 ± 0.5mm
- ④ Average Wafer thickness: 200~210µm, +/-30µm
- ⑤ Flake type chips: Width max 1.5mm, Depth max 0.5mm
- ⑥ Number of flake type chips allowed: ≤ 2 per Solar Cell



* KPE reserves the right to change the specification without prior notice and please contact us for detailed specification